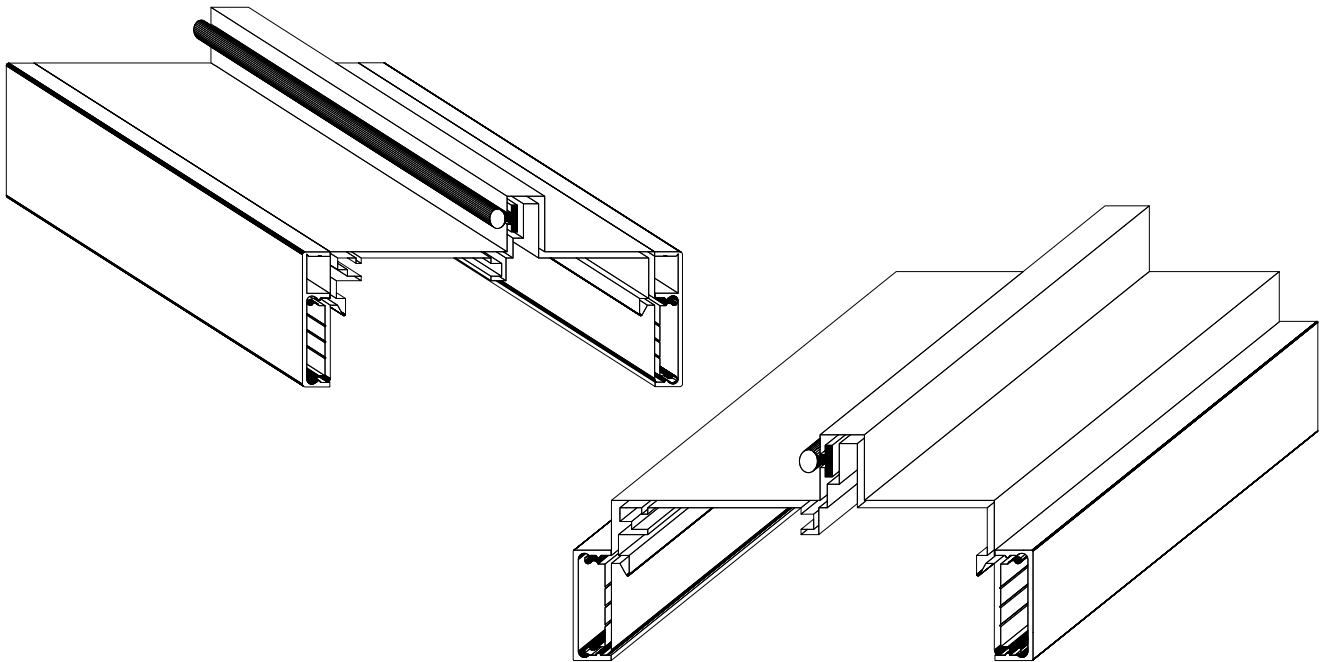




**Alpha Aluminum Products, Inc.**  
*dba* Alpha Architectural Products

*DOOR & WINDOW FRAMES  
FOR THE FINEST OFFICES*



325 N. Muller Street • Anaheim, CA 92801  
**Phone (714) 210-1507 • Fax (714) 210-1511**  
*sales@alpha-alum.com*



### AVAILABLE THROAT SIZES (WALL THICKNESS):

- ◆ DOOR FRAME AND GLAZING:  
3-1/2", 3-3/4", 4-7/8", 5-1/4"
- ◆ DOOR FRAME ONLY\*:  
5-1/2", 7-1/4"
- ◆ 2-PIECE DOOR FRAME  
(NEUTRAL PRESSURE RATING ONLY)\*:  
*MADE TO ANY DIMENSION FROM 3" to 10-1/2"*  
**\*\*NOT FIELD ADJUSTABLE\*\***

*\*APPLIED STOP AVAILABLE FOR  
SIDELITES AND BORROWED LITES*

### FIRE RATINGS:

- ◆ **20 MINUTE / 90 MINUTE 'S'**  
**(UBC-97 POSITIVE PRESSURE)**  
*REQUIRES CONCEALED OR SURFACE APPLIED INTUMESCENT:*
  - SINGLE SWING: up to 4-0 wide by 9-0 high
  - PAIRS: up to 8-0 by 9-0 (max. 4-0 leaf)
- ◆ **20 minute NEUTRAL PRESSURE LABEL:**
  - SINGLE SWING: up to 4-0 wide by 9-0 high
  - PAIRS: up to 8-0 by 9-0 (max. 4-0 leaf)
  - SIDELITES: up to 3-0 by 9-0 door (single swing only) with up to 2-0 wide sidelite on strike side of door

### AVAILABLE FINISHES:

- ◆ CLEAR ANODIZED
- ◆ DARK BRONZE ANODIZED
- ◆ BLACK ANODIZED
- ◆ CUSTOM PAINTING
- ◆ CUSTOM ANODIZING

### STANDARD HARDWARE PREPS:

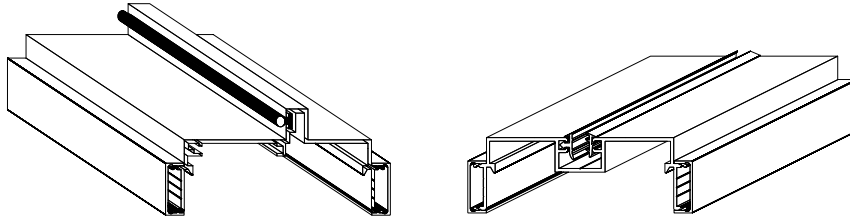
- ◆ 4-1/2" STANDARD WEIGHT BUTTS
- ◆ 4-7/8" ASA STRIKES
- ◆ 2-3/4" T-STRIKES
- ◆ 2-1/4" x 15/16" FLUSHBOLTS
- ◆ **PREPPED TO YOUR LOCATIONS**
- ◆ **CUSTOM PREPS AVAILABLE**

### SPECIFICATIONS:

- ◆ EXTRUDED ALUMINUM, ALLOY 6063-T5
- ◆ NOMINAL ALUMINUM THICKNESS 0.07"
- ◆ DOOR FRAMES FOR 1-3/4" DOORS ONLY
- ◆ DOOR MUTE (VINYL or FELT) INCLUDED
- ◆ GLAZING VINYL INCLUDED
- ◆ VINYL & FELT AVAILABLE IN BLACK, WHITE or GREY (BLACK VINYL STANDARD)
- ◆ GLAZING FRAMES FOR 1/4" GLASS (WITH INCLUDED VINYL)
- ◆ GLAZING FRAMES FOR 3/8" & 1/2" GLASS (WITH INCLUDED VINYL)
- ◆ FRAMES CUT TO SIZE & PACKED PER OPENING
- ◆ TRIM MITERED AT CORNERS

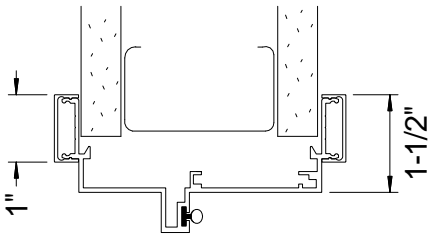


# STANDARD TRIM SYSTEM

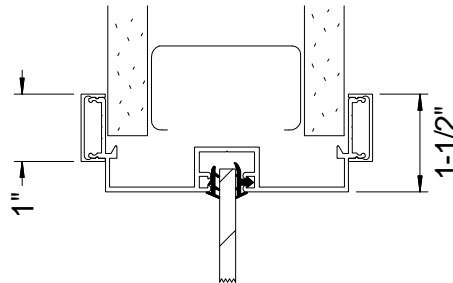


## FEATURES:

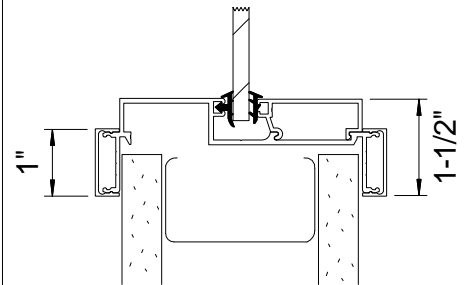
- ▶ 1" x 3/8" TRIM
- ▶ 1/2" REVEAL
- ▶ 1-1/2" FACE / 2" MULLIONS



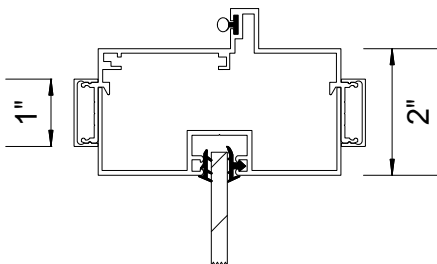
DOOR FRAME  
HEAD/JAMB



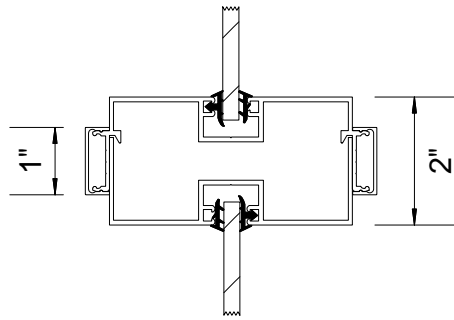
GLAZING  
HEAD/JAMB



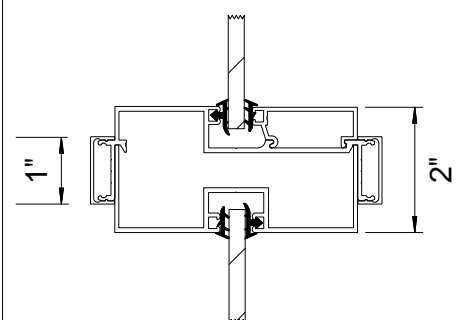
GLAZING SILL  
w/SNAP-IN STOP



DOOR/SIDELITE  
MULLION



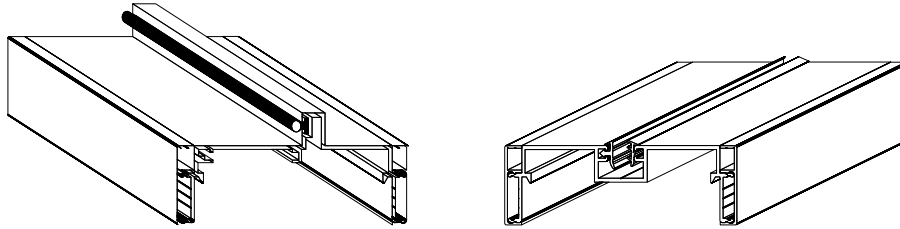
VERTICAL  
MULLION



HORIZONTAL MULLION  
w/SNAP-IN STOP



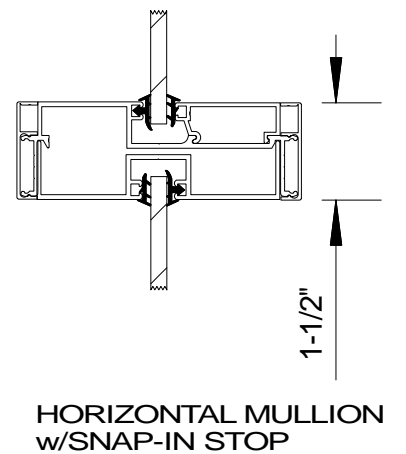
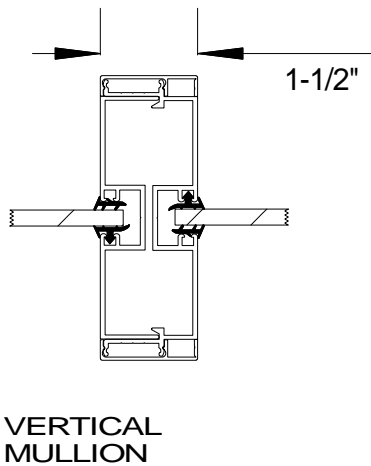
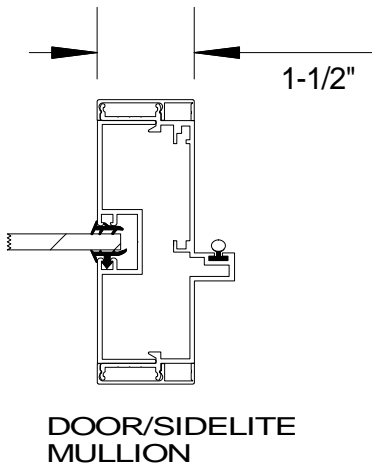
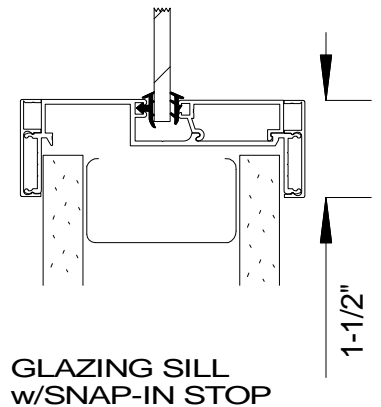
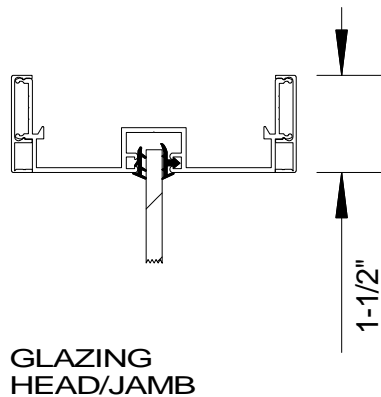
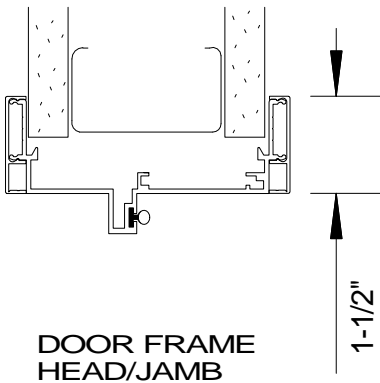
# FLUSH TRIM SYSTEM



## FEATURES:

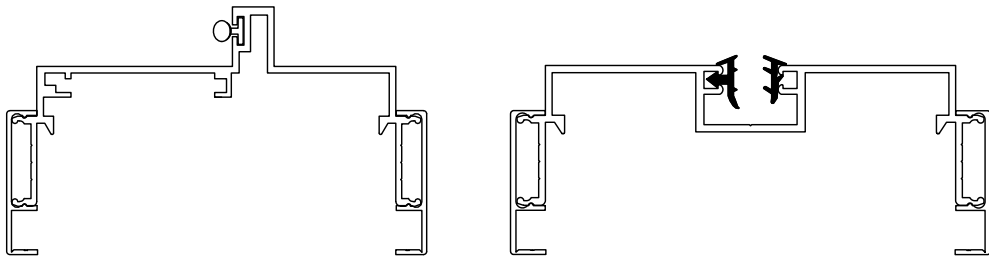
- ▶ 1-1/2" x 5/16" TRIM
- ▶ FLUSH--NO REVEAL
- ▶ 1-1/2" MULLIONS

**\*\* STRIKE PLATE LIPS MUST BE EXTENDED 3/8" \*\***

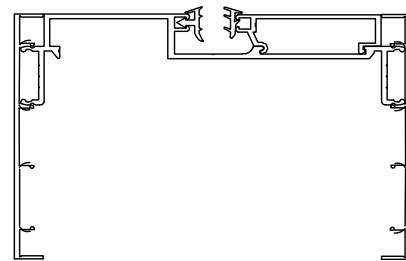


# 1-1/2" REVEAL TRIM

1-1/2" x 3/8" TRIM \* 1/2" REVEAL \* 2" PROFILE \* 2" MULLIONS w/1" TRIM

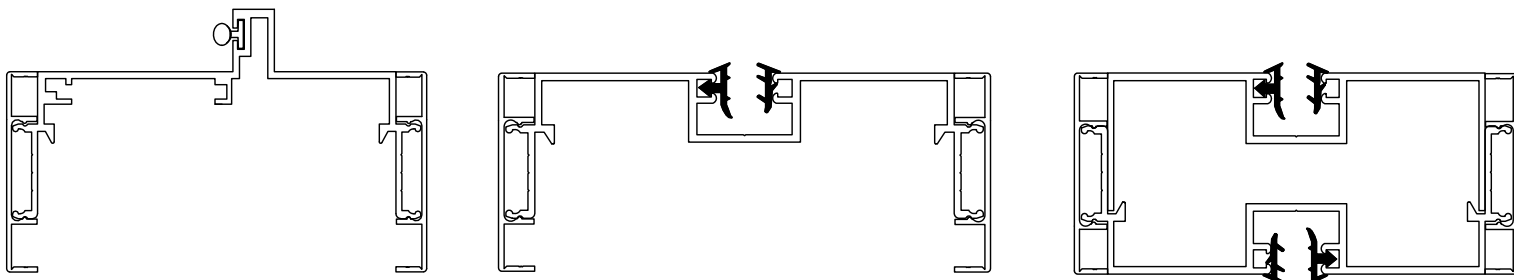


# 4" SILL TRIM



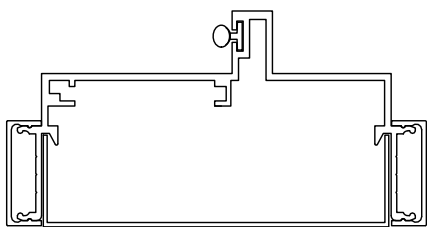
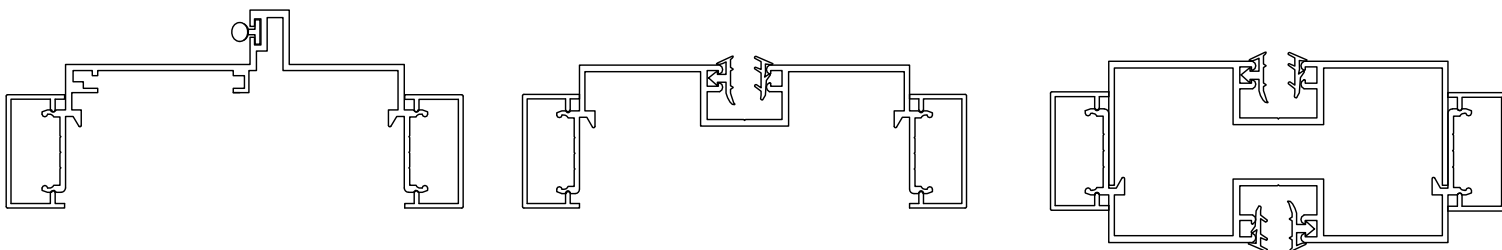
# 2" FLUSH TRIM

2" x 5/16" TRIM \* NO REVEAL \* 2" PROFILE \* 2" MULLIONS



# #125 TRIM

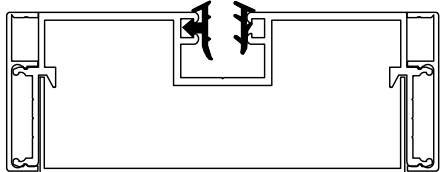
1-1/4" x 5/8" TRIM \* 3/8" REVEAL \* 1-5/8" PROFILE \* 2" MULLIONS



## EXTRUDED END CAPS

3-3/4" & 4-7/8" FOR FLUSH OR STANDARD TRIM

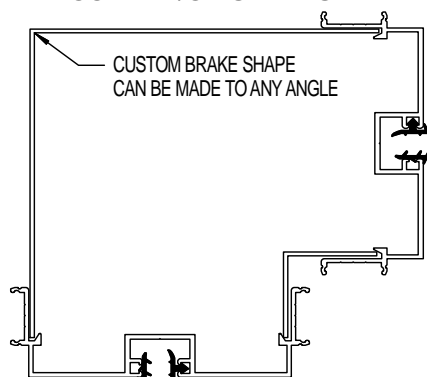
(CUSTOM BRAKE SHAPES FOR OTHER TRIMS/WALLS)



## CUSTOM CORNERS

FOR ALL TRIM TYPES

ANY COMBINATION OF  
DOOR AND/OR GLAZING MAT'L

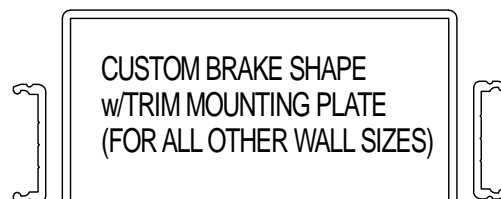


CUSTOM BRAKE SHAPE  
CAN BE MADE TO ANY ANGLE

## CASED OPEN FRAMES



EXTRUDED  
(3-3/4" & 4-7/8" WALLS)



CUSTOM BRAKE SHAPE  
w/TRIM MOUNTING PLATE  
(FOR ALL OTHER WALL SIZES)

**\*\* SILL STARTER (SILL CHANNEL) AVAILABLE \*\***